



Tel: 0086-21-58223048  
Fax:0086-21-58220631

**Shanghai Superwu Therm Windows, LLC**

Office Add:  
Level 5, Building 10,  
No.8666 Hunan Road,  
Pudong New Area, Shanghai, China

**Superhouse (Jiangsu) Window System, LLC**

Factory Add:  
No. 12 Haihong Road,  
Qidong Binhai Industry Zone,  
Nantong City, Jiangsu Province, China

[www.thermwindows.com](http://www.thermwindows.com)  
[info@thermwindows.com](mailto:info@thermwindows.com)







# INTRODUCTION

Therm windows is for a super life. Our continuous research and development leads to offer unique solutions like bullet proof and hurricane proof and thermal insulation and so on with many innovative features, which totally meet the needs of our customers. So you aren't just stalling windows and doors. You're installing excellence.

With 15 years of experience, Therm windows is one of the most advanced companies in China and in the design & window products by meet AS2047 Standard, NFRC, NOA

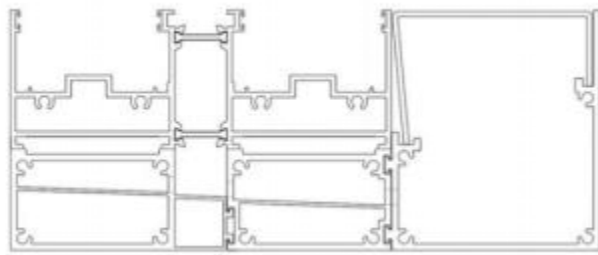


- Meet Australia AS2047 Standard
- Meet Australia bushfire BAL Standard
- Meet Australia AS2208 Standard
- Meet Acoustic 42dB
- Meet Bullet Proof UL752 Standard
- Meet CSA AAMA 101 NAFS Standard
- Meet Florida Products Approval
- Meet USA NFRC Standard

# INTRODUCTION







# SP146

SLIM SLIDING DOOR  
SPECIAL LINE



Therm windows SP146 series with 2cm thickness simplification profile and with a large view. Abandon the traditional big and heavy sliding door frame, the minimalist push and pull is more close to the natural environment nearly. Higher glass to aluminum frame ratio, heat insulation performance system effectively improved. Hidden under the rail- with roller bearing, single panel load up to 500kgs. It can be make 3000mm by 3000mm per panel.



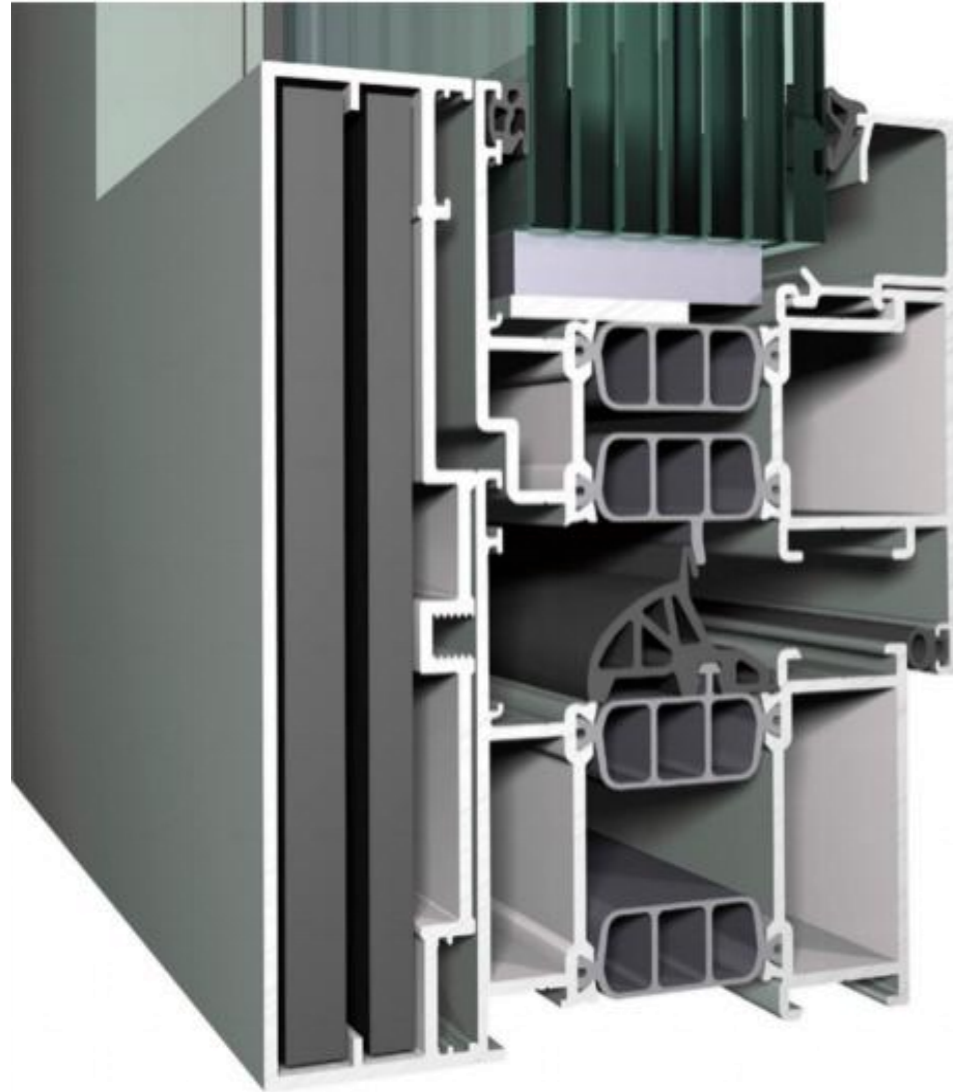
## TECHNICAL DATA

Visible width (Outside)	Frame/Sash	146mm
Profile Depth	Frame/Sash	Refer to detail drawing
Depth of glass groove		
Glass Thickness		

## PERFORMANCE

Thermal Insulation	$U \leq 2.4 \text{ W/m}^2\text{K}$
Acoustic Performance	$\leq 45\text{dB}$
Air Tightness	0.4
Wind Load Resistance	$\geq 0.5\text{Kpa}$
Water Penetration	500 pa
Security Level	





**SP86**  
BULLET PROOF  
SPECIAL LINE

Therm windows SP86 bullet proof system meet UL752 standard and Florida USA product building approval. The special design with reinforce steel plate and bullet proof glass. Which is popular use for hurrican area and public like embassy, army area and bank.



**SP100**  
HINGE DOOR  
COMMERCIAL

Therm windows SP100 hinge door is classic model. It can be high threshold or low threshold or without threshold. Stainless steel handle for option. Normally use for commercial area such as shop entrance door. It aslo can be escape door.

**TECHNICAL DATA**

Visible width (Outside)	Frame/Sash	Refer to detail drawing
Profile Depth	Frame/Sash	Refer to detail drawing
Depth of glass groove		
Glass Thickness		

**PERFORMANCE**

Thermal Insulation	$U \leq 1.1 \text{ W/m}^2\text{K}$
Acoustic Performance	$\leq 45\text{dB}$
Air Tightness	0.4
Wind Load Resistance	$\geq 0.5\text{Kpa}$
Water Penetration	900 pa
Security Level	

**TECHNICAL DATA**

Visible width (Outside)	Frame/Sash	Refer to detail drawing
Profile Depth	Frame/Sash	Refer to detail drawing
Depth of glass groove		
Glass Thickness		

**PERFORMANCE**

Thermal Insulation	$U \leq 3.4 \text{ W/m}^2\text{K}$
Acoustic Performance	$\leq 45\text{dB}$
Air Tightness	0.4
Wind Load Resistance	$\geq 0.5\text{Kpa}$
Water Penetration	600 pa
Security Level	



## SP100 SLIDING DOOR COMMERCIAL



SP100 Sliding door system, it can be equipped with triple glass to get better sound insulation and energy-saving. This system is equipped with heavy duty and it can be load max. 300kg weight. It could create smoother and more reliable operation experience for users during the repeated opening and closing. Available with stainless steel mesh and could meet 600pa water penetration. Popular used in Australia market.

### TECHNICAL DATA

Visible width (Outside)	Frame/Sash	50mm
Profile Depth	Frame/Sash	130mm
Depth of glass groove		16mm
Glass Thickness		12-30mm

### PERFORMANCE

Thermal Insulation	$U \leq 3.8 \text{ W/m}^2\text{K}$
Acoustic Performance	$\leq 42\text{dB}$
Air Tightness	0.4
Wind Load Resistance	$\geq 0.5\text{Kpa}$
Water Penetration	600 pa
Security Level	



# SP150 STACKER DOOR COMMERCIAL



SP150 stacker door system, it could be with triple glass to realize better sound insulation and energy-saving. This system is with heavy duty. It could create smoother and more reliable operation experience for users during the repeated opening and closing. Available with stainless steel mesh and could meet 600 pa water penetration. Popular used in Australia Market.



## TECHNICAL DATA

Visible width (Outside)	Frame/Sash	50mm
Profile Depth	Frame/Sash	150mm
Depth of glass groove		16mm
Glass Thickness		12-31mm

## PERFORMANCE

Thermal Insulation	$U \leq 3.4 \text{ W/m}^2\text{K}$
Acoustic Performance	$\leq 45\text{dB}$
Air Tightness	0.4
Wind Load Resistance	$\geq 0.5\text{Kpa}$
Water Penetration	600 pa
Security Level	





# SP115

## BI-FOLDING DOOR

### COMMERCIAL



Therm windows SP115 Bi-folding door could meet design of 220,330,431,550,541,633,651,743 and so on. Also could with retractor flyscreen. It can be make 3000mm high with heavy duty hinge and with stright sash to improve aesthetics sash. Also it is the flagship product in Therm windows product system.

### TECHNICAL DATA

Visible width (Outside)	Frame/Sash	30mm
Profile Depth	Frame/Sash	115mm
Depth of glass groove		22mm
Glass Thickness		21-42mm

### PERFORMANCE

Thermal Insulation	$U \leq 3.4 \text{ W/m}^2\text{K}$
Acoustic Performance	$\leq 45\text{dB}$
Air Tightness	0.4
Wind Load Resistance	$\geq 0.5\text{Kpa}$
Water Penetration	600 pa
Security Level	





## SP100 AWNING WINDOW COMMERCIAL

SP100 Chain winder window could be equipped with double or triple glass to realize better sound insulation and energy-saving. This system is with Australia local 125mm limited opening restrictor. Available with stainless steel mesh or flyscreen. And with Australia standard and with 900pa water penetration and popular used in Australia market.

### TECHNICAL DATA

Visible width (Outside)	Frame/Sash	50mm
Profile Depth	Frame/Sash	100mm
Depth of glass groove		20mm
Glass Thickness		12-31mm

### PERFORMANCE

Thermal Insulation	$U \leq 3.4 \text{ W/m}^2\text{K}$
Acoustic Performance	$\leq 45\text{dB}$
Air Tightness	0.4
Wind Load Resistance	$\geq 0.5\text{Kpa}$
Water Penetration	900 pa
Security Level	







# SP130 GLASS LOUVER COMMERCIAL



Therm windows SP130 louver is popular for Australia market and which could be with the flyscreen and also Stainless steel mesh. Available for 6mm glass and 6.38mm laminated glass. It is the flagship product in Superhosue system. And which pass 150 pa water penetration for the AS2047 Standard.

## TECHNICAL DATA

Visible width (Outside)	Frame/Sash	25mm
Profile Depth	Frame/Sash	130mm
Depth of glass groove		16mm
Glass Thickness		6mm

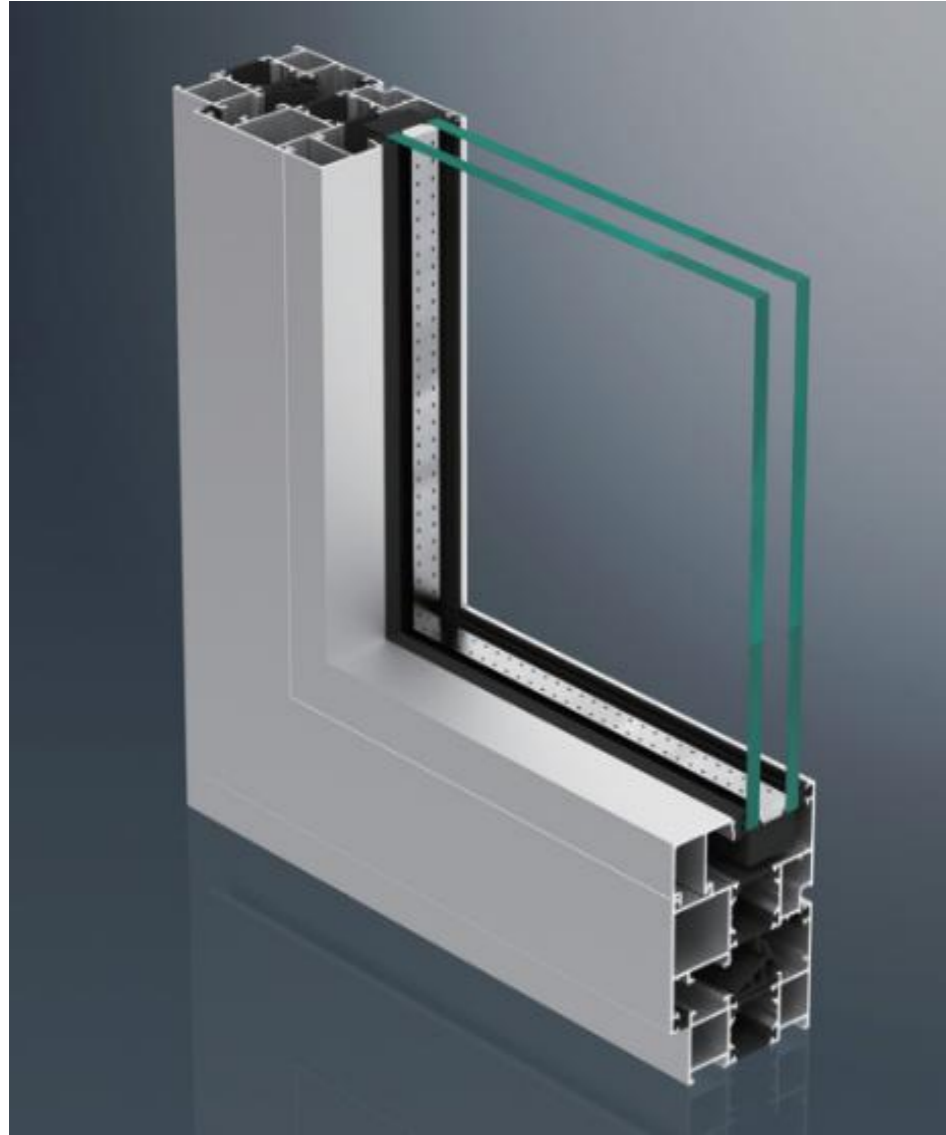
## PERFORMANCE

Thermal Insulation	U≤4.4 W/m2K
Acoustic Performance	≤35dB
Air Tightness	0.4
Wind Load Resistance	≥0.5Kpa
Water Penetration	150 pa
Security Level	



## SP65T

Awning  
Casement  
SUPER SERIES



SP65T system is excellent heat insulating function, through the adoption of 24mm thermal insulation aluminum profile, it could keep the U-value less than 1.6 W/m.K. It could not only satisfy users' strict requirement on physical function, but also realize various segmentations of windows and doors. It is popular on North American Area. Flagship product in Therm windows system

### TECHNICAL DATA

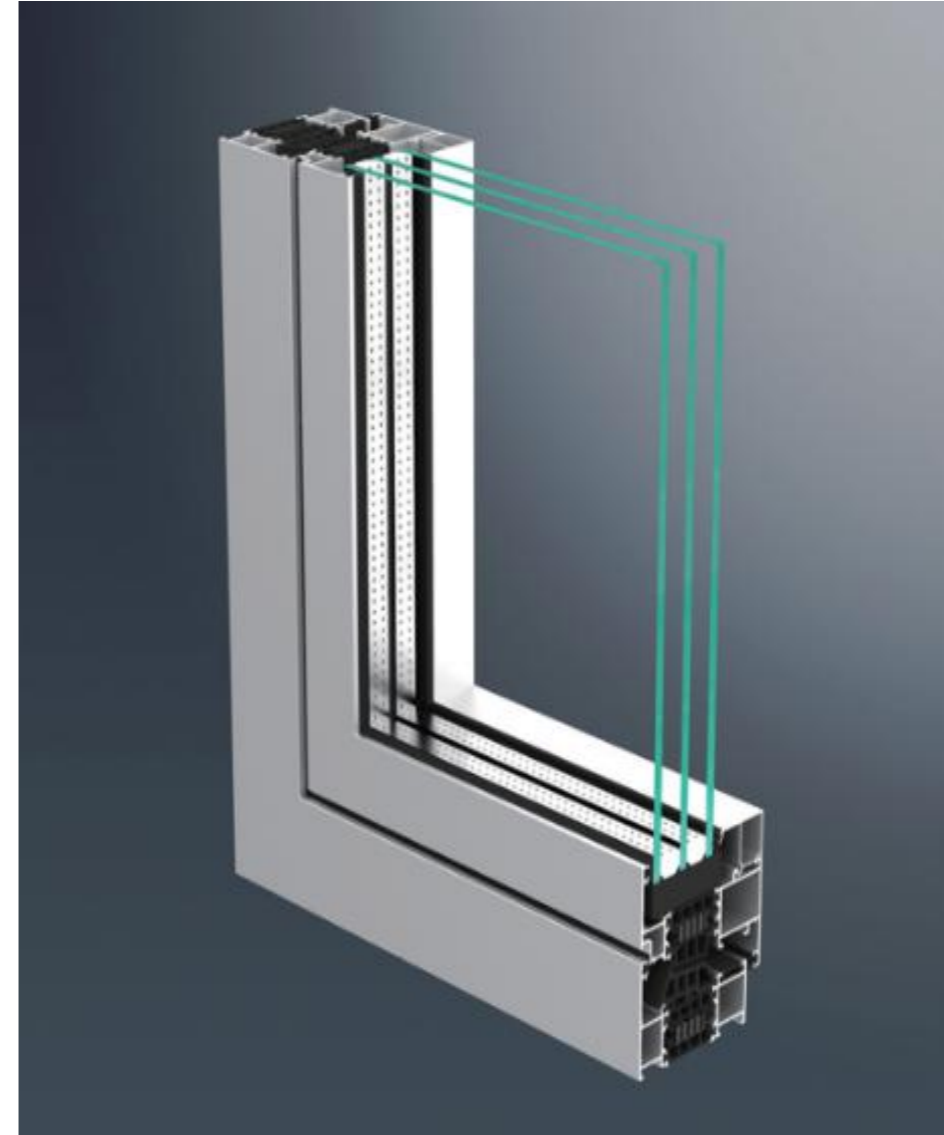
Visible width (Outside)	Frame/Sash	30mm
Profile Depth	Frame/Sash	65mm
Depth of glass groove		27mm
Glass Thickness		48mm

### PERFORMANCE

Thermal Insulation	$U \leq 1.6 \text{ W/m}^2\text{K}$
Acoustic Performance	$\leq 45\text{dB}$
Air Tightness	0.4
Wind Load Resistance	$\geq 0.5\text{Kpa}$
Water Penetration	900 pa
Security Level	

## SP80T

Awning  
Casement  
STAR SERIES



Superhosue P80 system is excellent heat insulating function, through the adoption of 39mm thermal insulation aluminum profile, it could keep the U-value less than 1.1w/m.k. It could not only satisfy users strict requirement on physical function, but also is the flagship product in Therm windows system. Comply with AAMA CSA WDMA 101/I.S.2/A440-11.

### TECHNICAL DATA

Visible width (Outside)	Frame/Sash	30mm
Profile Depth	Frame/Sash	79mm
Depth of glass groove		27mm
Glass Thickness		61mm

### PERFORMANCE

Thermal Insulation	$U \leq 1.4 \text{ W/m}^2\text{K}$
Acoustic Performance	$\leq 45\text{dB}$
Air Tightness	0.4
Wind Load Resistance	$\geq 0.5\text{Kpa}$
Water Penetration	900 pa
Security Level	





## SP80T

### HINGE DOOR STAR SERIES



Superhosue P80 system is excellent heat insulating function, which belong to our star system with very high quality and with kick plate. It could realized inwards opening, outwards opening, low threshold and high threshold. Also there are different kinds of hardware for choose and it could meet C and U groove with multi point locking system.

### TECHNICAL DATA

Visible width (Outside)	Frame/Sash	50mm
Profile Depth	Frame/Sash	80mm
Depth of glass groove		27mm
Glass Thickness		48mm

### PERFORMANCE

Thermal Insulation	$U \leq 1.4 \text{ W/m}^2\text{K}$
Acoustic Performance	$\leq 45\text{dB}$
Air Tightness	0.4
Wind Load Resistance	$\geq 0.5\text{Kpa}$
Water Penetration	600 pa
Security Level	



## SP75T

BI-FOLDING DOOR  
STAR SERIES



Therm windows SP75T bifold doors, or folding sliding doors if you prefer, are a modern and innovative design statement that can transform an ordinary room and make it a feature of the house. It can be low threshold and high threshold. Available in a number of configurations using between 2 and 8 door leaves.

### TECHNICAL DATA

Visible width (Outside)	Frame/Sash	36mm
Profile Depth	Frame/Sash	75mm
Depth of glass groove		29mm
Glass Thickness		51mm

### PERFORMANCE

Thermal Insulation	$U \leq 2.4 \text{ W/m}^2\text{K}$
Acoustic Performance	$\leq 45\text{dB}$
Air Tightness	0.4
Wind Load Resistance	$\geq 0.5\text{Kpa}$
Water Penetration	600 pa
Security Level	

## SP153T

Lift&Sliding door  
STAR SERIES



Superhosue SP153T system is a sliding and lift&sliding door wiellent thermal insulation. The perfect design max. glass area and enhances comfort, which system has a small threshold scheme to facilitate access to building. The lift and sliding door can accommodate large size glass door and bear up to 400kg which meets the requirement of anti theft performance.

### TECHNICAL DATA

Visible width (Outside)	Frame/Sash	64mm
Profile Depth	Frame/Sash	153mm
Depth of glass groove		26mm
Glass Thickness		53mm

### PERFORMANCE

Thermal Insulation	$U \leq 1.6\text{W/m}^2\text{K}$
Acoustic Performance	$\leq 45\text{dB}$
Air Tightness	0.4
Wind Load Resistance	$\geq 0.5\text{Kpa}$
Water Penetration	600 pa
Security Level	





# SP239T

Lift&Sliding door  
STAR SERIES



Superhosue SP239T system is a sliding and lift&sliding door wiellent thermal insulation. The perfect design max. glass area and enhances comfort, which system has a small threshold scheme to facilitate access to building. The lift and sliding door can accommodate large size glass door and bear up to 400kg which meets the requirement of anti theft performance.

## TECHNICAL DATA

Visible width (Outside)	Frame/Sash	64mm
Profile Depth	Frame/Sash	239mm
Depth of glass groove		26mm
Glass Thickness		53mm

## PERFORMANCE

Thermal Insulation	$U \leq 1.6W/m^2K$
Acoustic Performance	$\leq 45dB$
Air Tightness	0.4
Wind Load Resistance	$\geq 0.5Kpa$
Water Penetration	600 pa
Security Level	



# FACTORY VIEW

# FACTORY VIEW



Dust-Free Plant



Dust-Free Plant



SGS Approved Packing



AUTO-MACHINES





# PROJECT

- HOTEL
- UNIVERSITY
- APARTMENT

# CERTIFICATE

- Australia
- America
- Canada



Melbourne Australia



Canberra, Australia



Sydney, Australia



Adelaide, Australia



Solution to Australia market



Solution to USA Market



Solution to USA Market

